

The SSF28 series is a vertically mounted device designed to achieve reliable switching at higher pressures. Mounting is in the top or bottom of the tank from the inside, so requires access to the inside of the tank.

This type is capable of working at pressures of up to 40 bar.

They are manufactured in 316 grade Stainless Steel and will work in liquids of SG 0.7 minimum.

The switch action may be reversed by removing the float, inverting it and then refitting it to the stem.



- **Stainless steel**
- **Internal fitting**
- **Temperature range to 120°C**
- **Pressure up to 40 bar**
- **User configurable N/O or N/C action**

**Technical Specification**

Mounting style	Internal	Cable length - standard	350mm
Mounting thread	1/8" BSP	Cable size	17/0.10 - AWG22
Float & Stem material	316 grade	Cable conductor material	Tinned copper
Maximum Temperature	120°C	Cable sheath material	XLPE
Maximum Pressure	40 bar	Cable temperature rating	125°C
Float SG	0.6	Sealing gasket	Not supplied
Minimum fluid SG	0.7	Tightening torque for fixing nut	2.0kg/cm

**Electrical Specification**

Contact Form	N/O or N/C
Switching Power Max. VA	50
Switching Current Max. A	0.5
Switching Voltage AC	300
Switching Voltage DC	300
Breakdown Voltage Min. DC	600

All ratings are for resistive load only.

**Standard Parts**

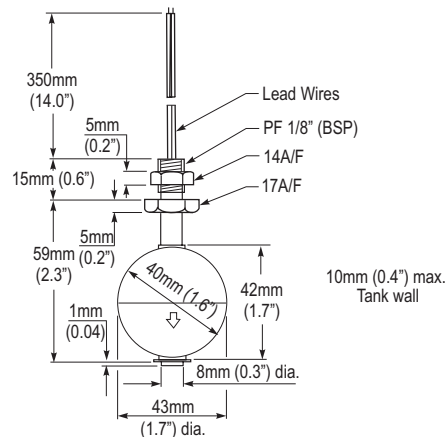
SSF28X035

**Leadouts**

35cm XLPE wires

**Mechanical Dimensions**

All dimensions are in millimeters (inches)



**USA**

Cynergy3 Components  
2320 Paseo de las Americas, Suite 104  
San Diego, CA 92154  
Sales & Tech Support (866) 258-5057  
Email: sales@cynergy3.com

**EUROPE - UK**

Cynergy3 Components Ltd.  
7 Cobham Road  
Ferndown Industrial Estate  
Wimborne, Dorset BH21 7PE  
Telephone +44 (0) 1202 897969  
Fax +44 (0) 1202 891918  
Email: sales@cynergy3.com